

**Jury Base Seating
Aeron® Chair**



Theatre Solutions, Inc.

Jury Base Seating

Aeron® Chair Specifications



Seat/Back Assembly: The assembly shall include a separate seat and back and shall consist of a durable breathable Pellicle® material stretched within a carrier and fitted into an outer frame. The Pellicle material shall be a woven blend of Spandex and colored polyester yarn with Hytrel elastomeric polyester. The carrier ring shall be a glass-filled elastomeric copolymer molded around the perimeter of the Pellicle material. The outer frame shall be injection-molded glass reinforced thermo-plastic polyester. The ring and frame shall be secured together with screws. Chair shall conform to CA TB133 requirements.



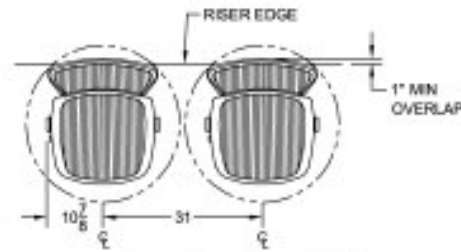
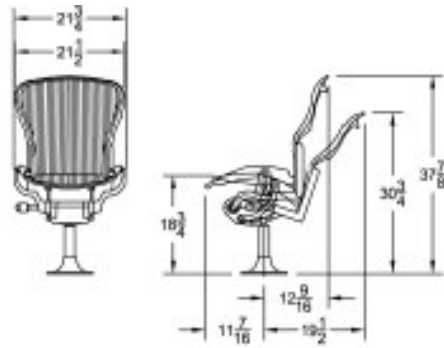
Armrest: The arm shall be black self-skinned urethane foam molded over an inner structure. The arm shall be attached to the seat back assembly with cast aluminum support and machine screws.



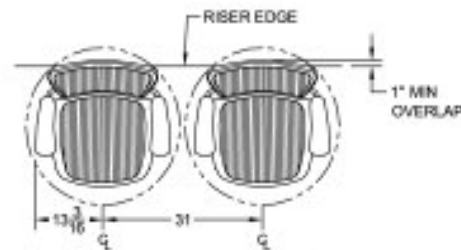
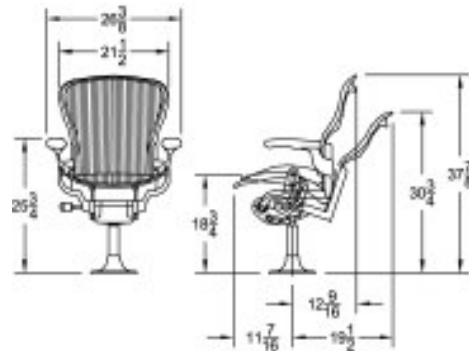
Mechanism: The tilt mechanism shall be the Kinemat® tilt mechanism which includes a 17-4 tapered receptacle for mounting to the swivel/return cylinder post. The tilt mechanism shall include a tilt tension adjustment knob.



Base: The base assembly shall consist of a T-6 cast aluminum jury base which is finished with black powder coating. The base is equipped with (4) countersunk mounting holes for flush floor mounting screws. The base plate has a raised center section with a tapered receptacle or the swivel return cylinder. The swivel return cylinder shall allow for 360 degree rotation and automatically return the seat to its original orientation. The cylinder shall be covered with a two-piece molded shroud.



Aeron Jury Base Chair Without Arms



Aeron Jury Base Chair With Arms



Theatre Solutions, Inc.

121 Park Avenue, Quakertown, PA 18951
 Tel 215.538.8033 Fax 215.538.8974
 www.theatresolutions.net
 info@theatresolutions.net

