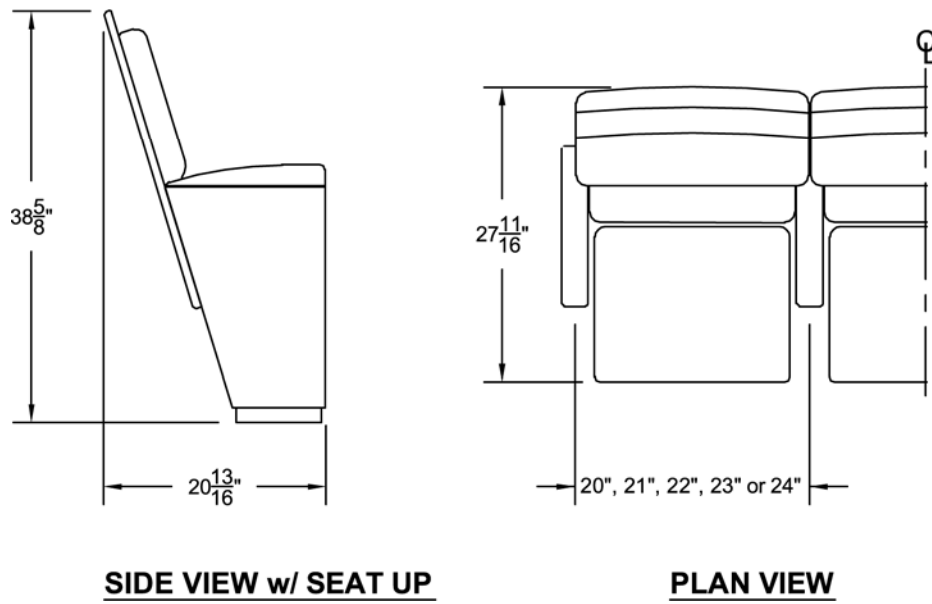
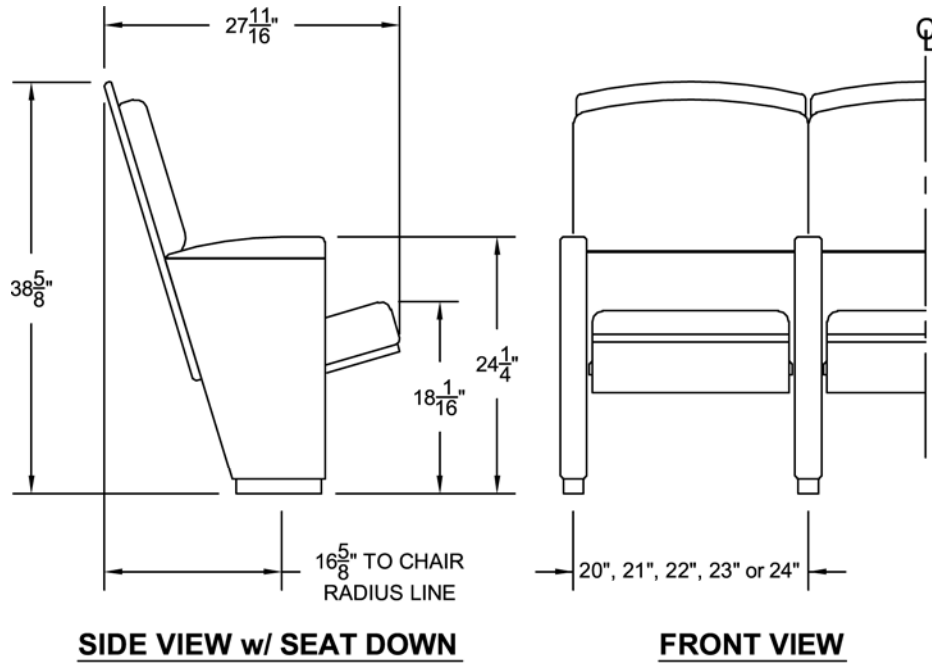


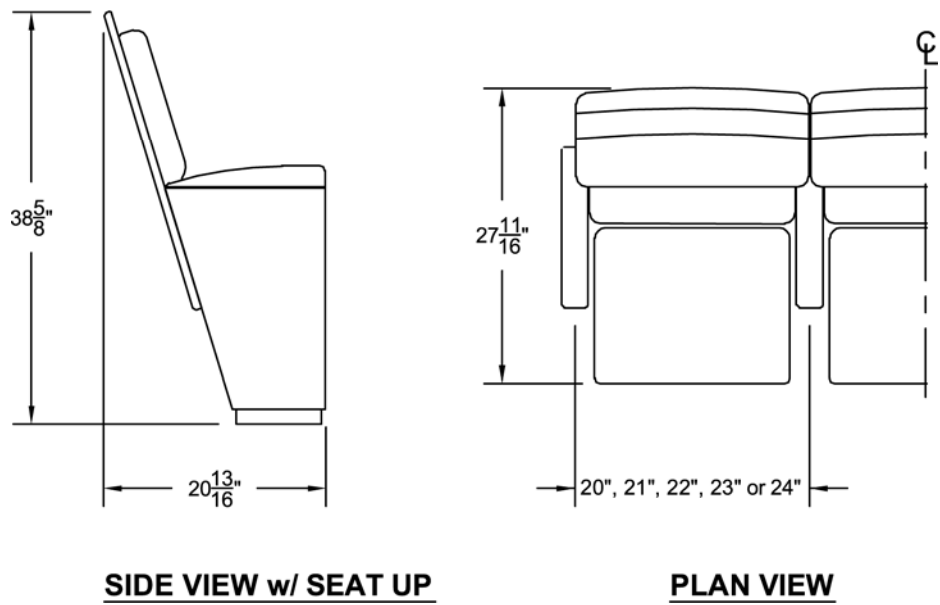
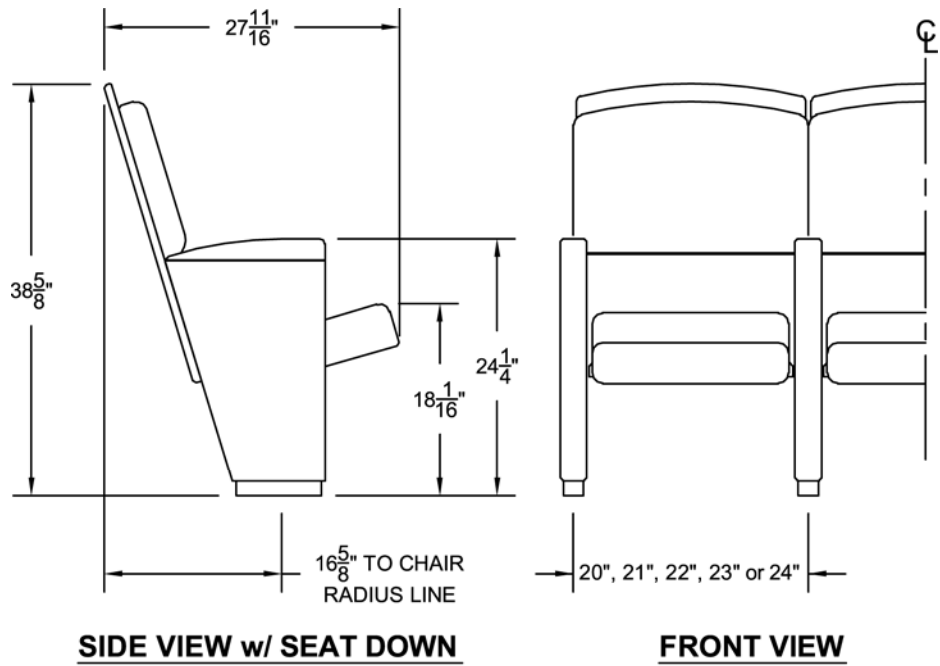
**Figure 1 - Prima A1-U/W Front, Side, and Plan Views**

*(This model has inner-upholstered seat and back cushions, both with outer wood veneer panels and optional inset back upholstery.)*



**Figure 2 - Prima C1-U/W Front, Side, and Plan Views**

*(This model has an inner-upholstered back cushion with outer wood veneer panels and optional inset back upholstery, and a fully-upholstered seat.)*



**Figure 3 - Prima C3-U/W Front, Side, and Plan Views**  
*(This model has both fully-upholstered seat and back.)*

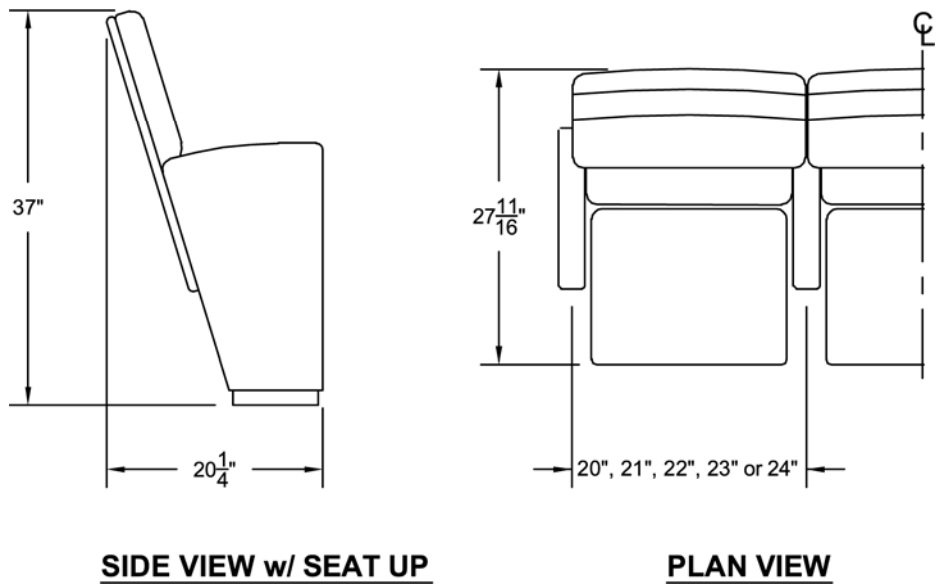
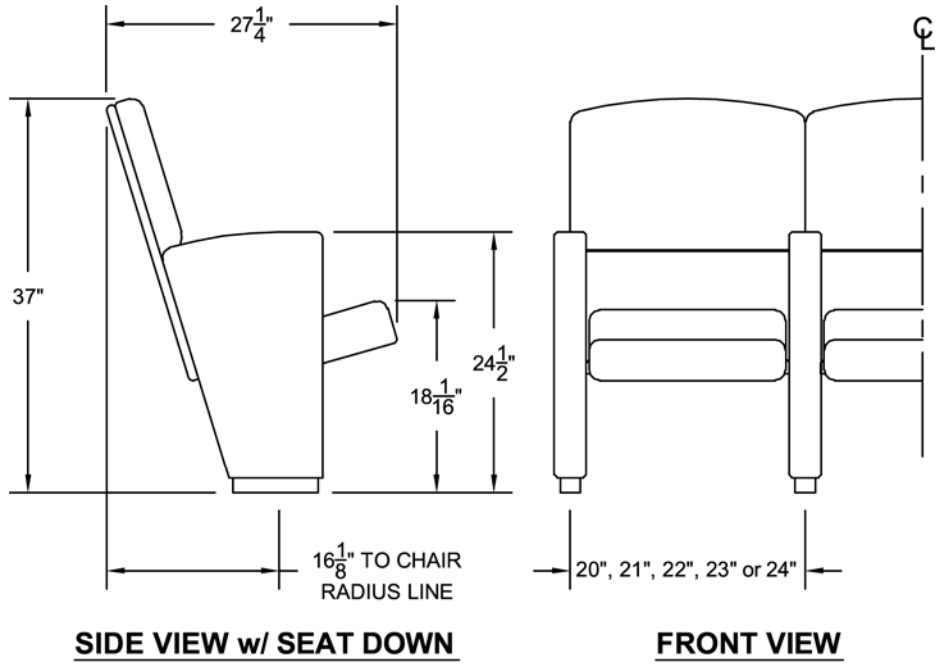
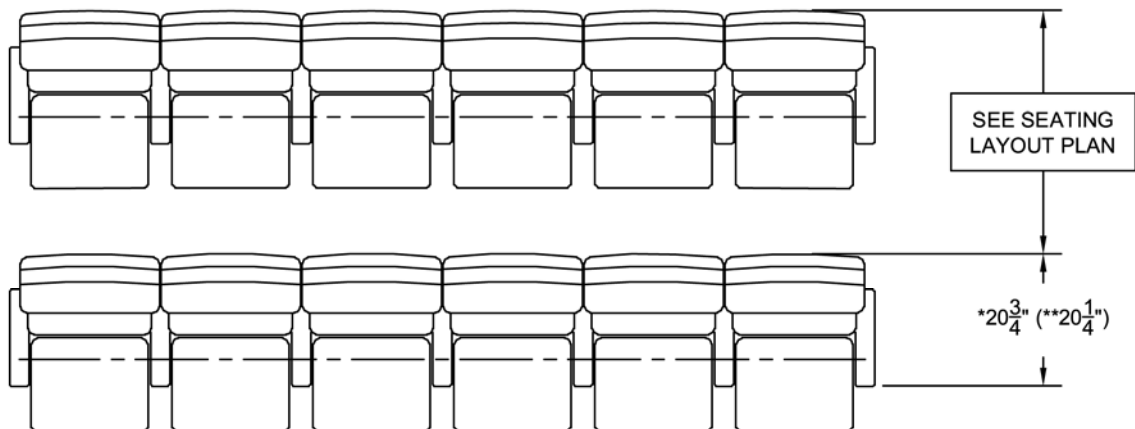
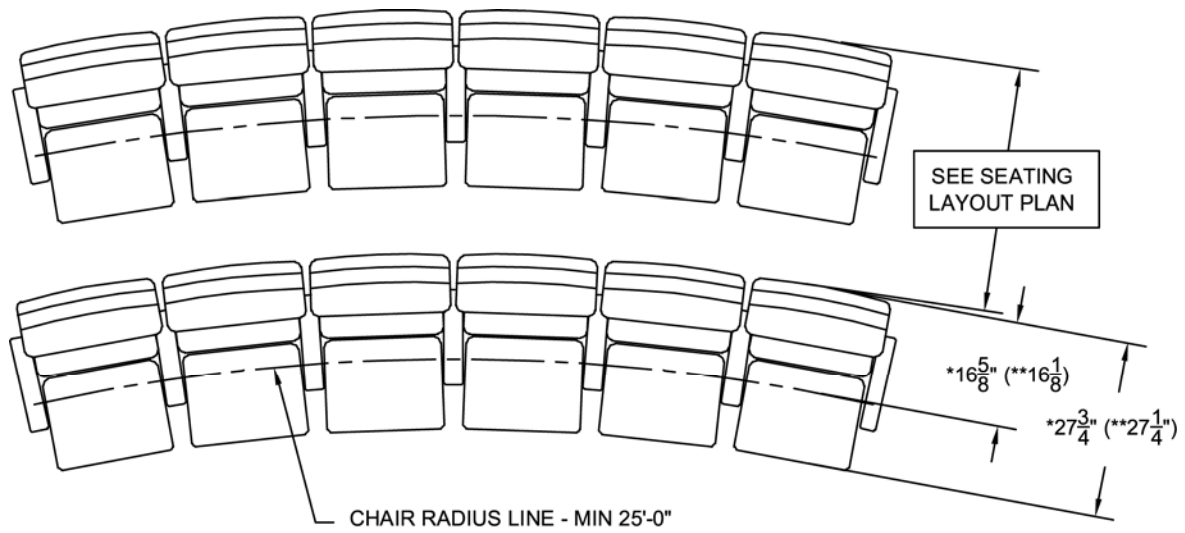


Figure 4 - Prima Seating Layout Dimensions



\* = DIMENSION FOR OUTER WOOD BACK WITH TOP REVEAL.

\*\* = DIMENSION FOR FULLY-UPHOLSTERED BACK.

Figure 5 – Prima A1/C1 – Exploded Assembly

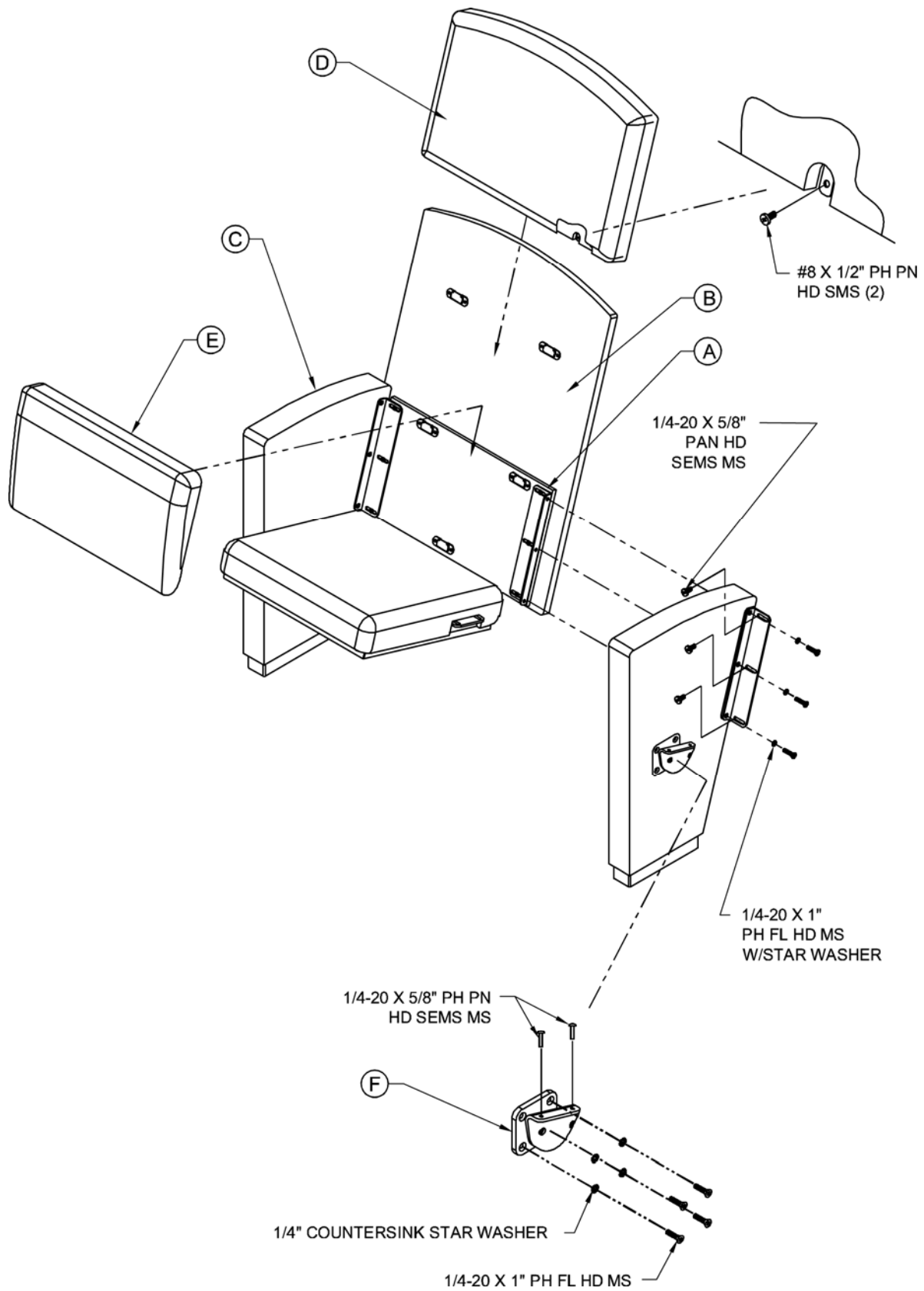


Figure 6 – Prima C3 – Exploded Assembly

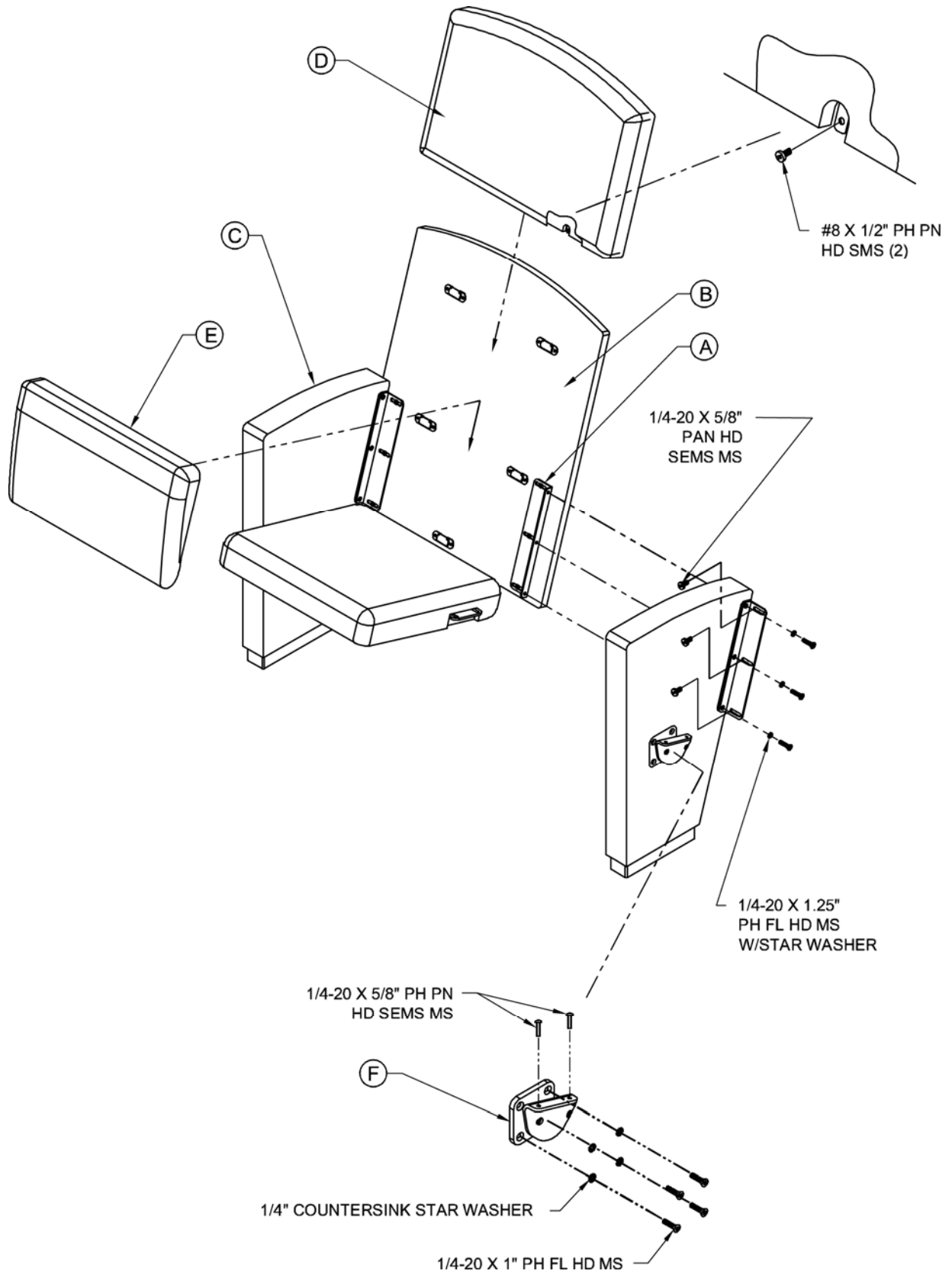


Figure 7 - Prima – Floor Mounting Details

