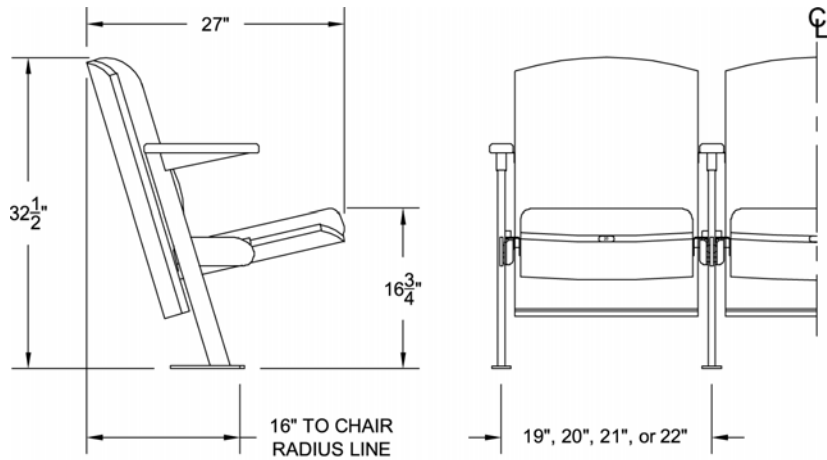


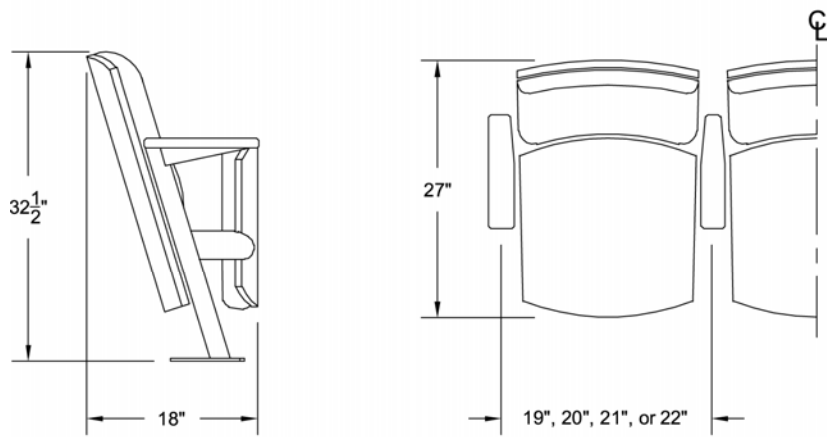
**Figure 1 - Teatro A1 Front, Side, and Plan Views**

*(These models have inner-upholstered seat and back cushions, both with outer wood veneer panels.)*



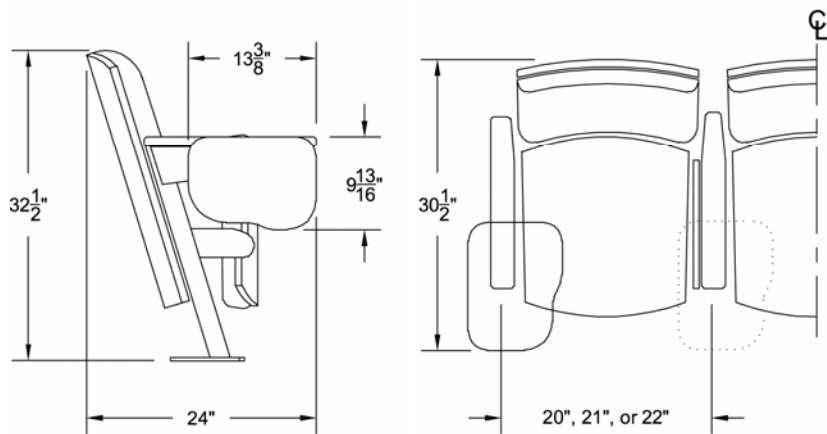
**SIDE VIEW w/ SEAT DOWN**

**FRONT VIEW**



**SIDE VIEW w/ SEAT UP**

**PLAN VIEW**

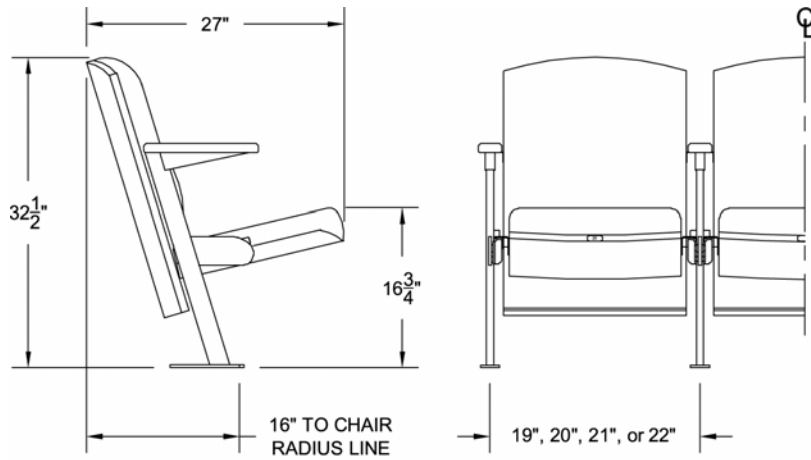


**SIDE VIEW w/ SEAT UP  
TABLET ARM**

**PLAN VIEW  
TABLET ARM**

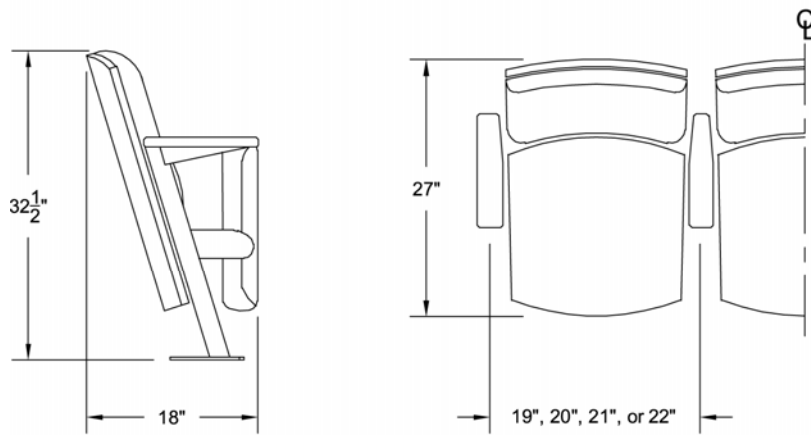
**Figure 2 - Teatro C1 Front, Side, and Plan Views**

*(This model has an inner-upholstered back cushion with outer wood veneer panel and a fully-upholstered seat.)*



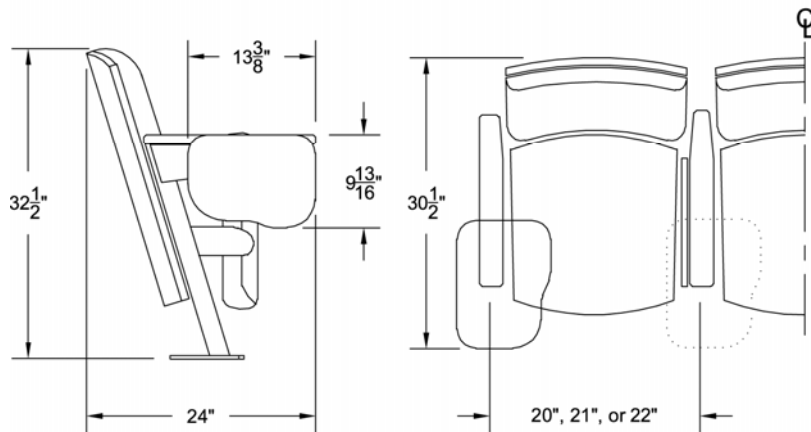
**SIDE VIEW w/ SEAT DOWN**

**FRONT VIEW**



**SIDE VIEW w/ SEAT UP**

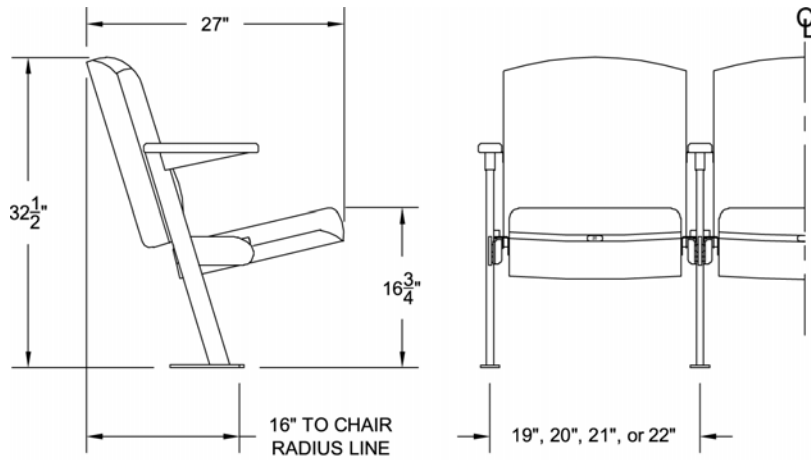
**PLAN VIEW**



**SIDE VIEW w/ SEAT UP  
TABLET ARM**

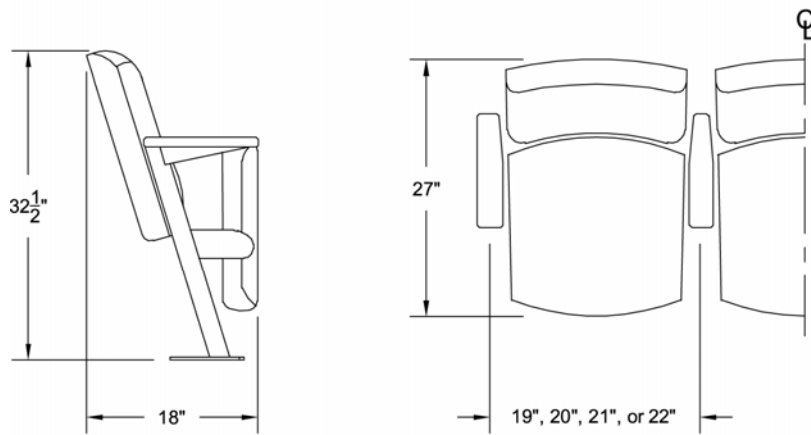
**PLAN VIEW  
TABLET ARM**

**Figure 3 - Teatro C3 Front, Side, and Plan Views**  
*(This model has both fully-upholstered seat and back.)*



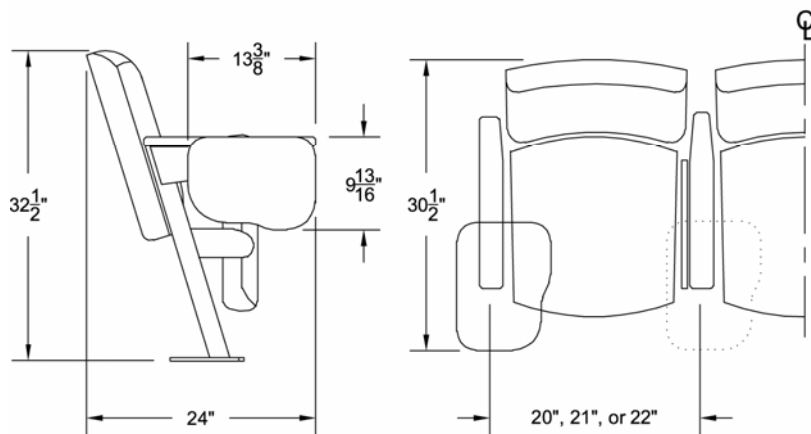
**SIDE VIEW w/ SEAT DOWN**

**FRONT VIEW**



**SIDE VIEW w/ SEAT UP**

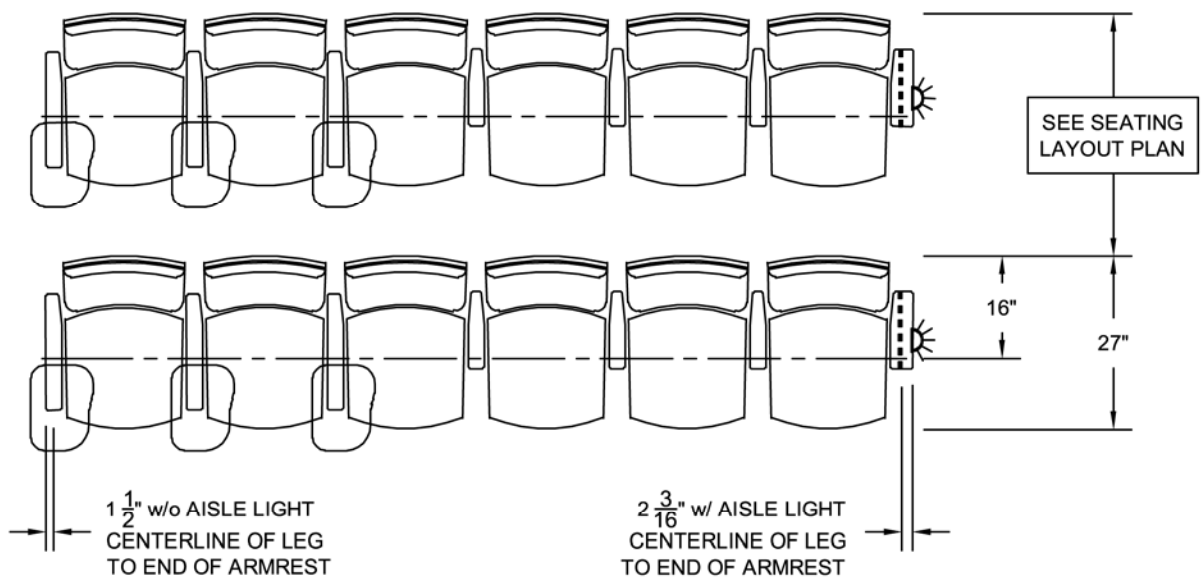
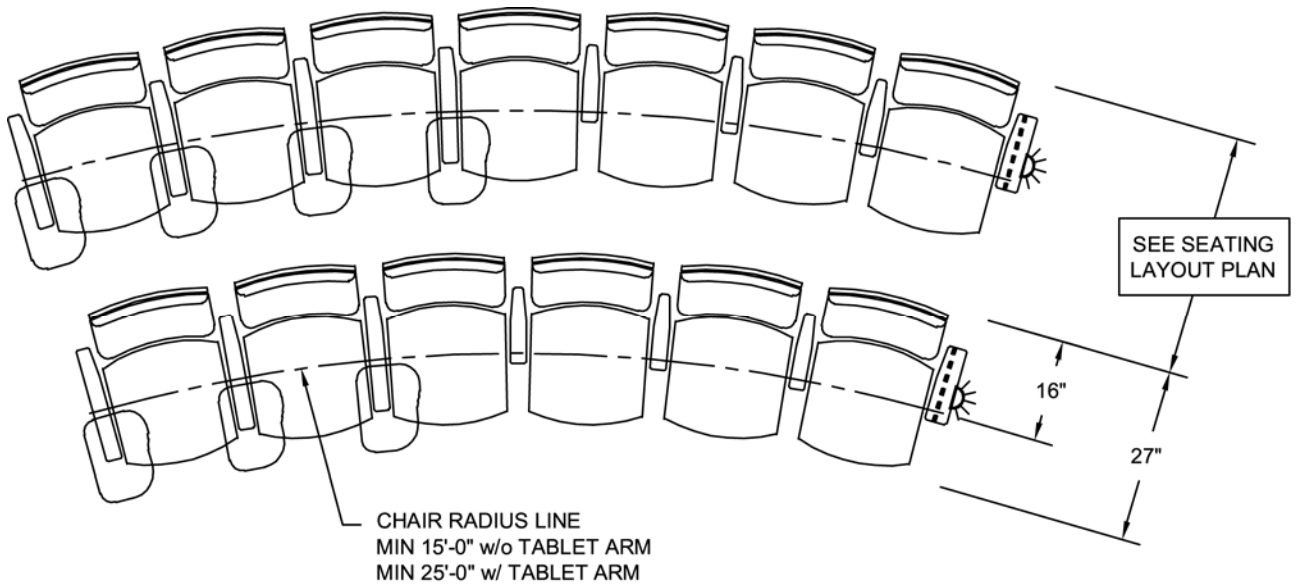
**PLAN VIEW**



**SIDE VIEW w/ SEAT UP  
TABLET ARM**

**PLAN VIEW  
TABLET ARM**

Figure 4 - Teatro Seating Layout Dimensions



CENTER-TO-CENTER DIMENSIONS FOR STANDARD CHAIRS **WITHOUT** TABLET ARMS ARE 19", 20", 21", OR 22".

CENTER-TO-CENTER DIMENSIONS FOR STANDARD CHAIRS **WITH** TABLET ARMS ARE 20", 21", OR 22".

Figure 5 - Teatro – Exploded Assembly

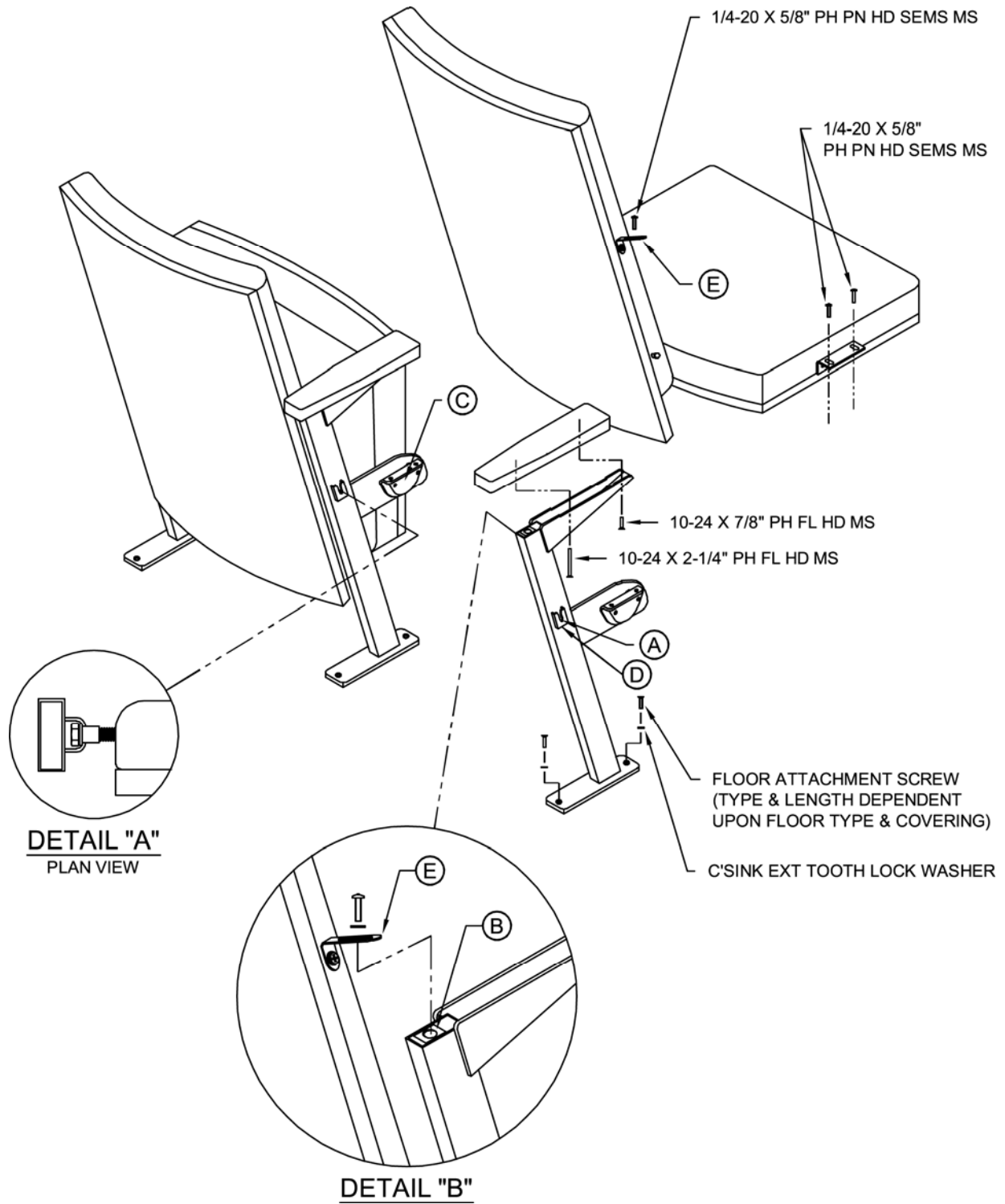


Figure 6 - Teatro – Floor Mounting Details

