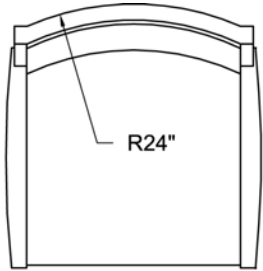
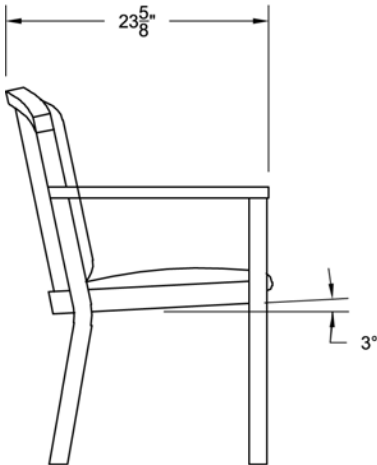


Tier Loose Seating

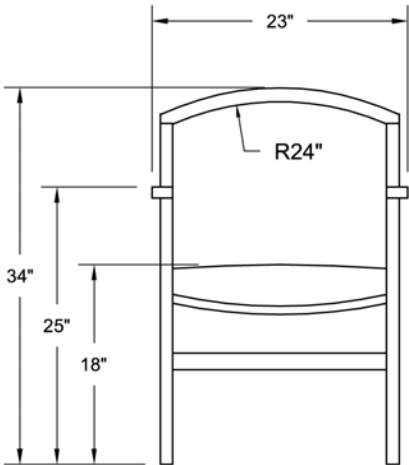
Planning & Specifications



TOP VIEW



SIDE VIEW



FRONT VIEW



Theatre Solutions, Inc.

121 Park Avenue Quakertown, PA 18951

Tel 215-538-8033 Fax 215-538-8974

info@theatresolutions.net

www.theatresolutions.net

The Tier Chair

About TSI	3
Tier Features	3
Tier Options.....	3
Warranty.....	4
Planning Information	5
Figure 1 – Tier Front, Side, and Plan Views	
Specifications	
Part 1 – General.....	7
<i>Related Documents</i>	
<i>Summary</i>	
<i>Submittals</i>	
<i>Quality Assurance</i>	
<i>Project Conditions</i>	
<i>Delivery, Storage, and Handling</i>	
<i>Extra Materials</i>	
Part 2 – Products	8
<i>Seating</i>	
<i>Materials</i>	
<i>Fabrication, General</i>	
Part 3 – Warranty	10
Part 4 – Execution.....	10
<i>Examination</i>	
<i>General</i>	
<i>Adjusting</i>	
Maintenance Instructions	11

About TSI

Theatre Solutions, Inc. (TSI) designs and produces distinctive and durable fixed seating. We are committed to providing the highest quality fixed seating and associated services in the world.

Quality, aesthetics, comfort and flexibility make TSI fixed seating the preferred choice for any building type. In addition to the advantages of our products, the attention TSI gives to every detail through each phase of the project makes us a valued ally to the architect, theater consultant, or building owner.

The Tier Chair

The scale and posture of the Tier chair make it an ideal selection to meet the unique requirements of performing arts center private box patrons. Traditionally, specifiers of loose seating for the private boxes had only a choice between wood office visitor chairs or wood hospitality side chairs. The overall design, scale and posture of these chairs never addressed the unique nature of this product area. The Tier chair specifically addresses the special needs of this high profile area which is critical to the success of today's Performing Arts Center.

Tier Chair Features

- The shape and profile of the Tier chair mimic TSI's Teatro fixed seating line. By combining these seating lines, the finish and appearance of the loose and fixed chairs will be complimentary throughout the concert hall.
- The seat and back angle provide the proper support for users when seated on the main level of the hall, as well as in the upper levels.
- The ergonomic design of the Tier chair takes into consideration the extended sitting period generally expected in a performance venue.
- TSI's ability to customize the Tier chair gives theater planners an option to tailor this chair to the exact design theme of the hall.
- Options such as outer wood back panels, donor tags, and custom finishing make this offering complete.

Tier Options

California Technical Bulletin 133 Fire Code Compliance

Veneer Back Panels Substitute finished veneer back panels for standard upholstery to enhance product durability and aesthetic appeal.

Donor Tags Available in a variety of shapes and finishes.

Tier Warranty

Theatre Solutions, Inc. (TSI) warrants the Tier chair against failures and manufacturing defects for one year from the date of shipment. This warranty applies only to the original purchaser and is non-transferable. TSI will provide parts and labor to replace defective parts. This warranty does not cover damage from abuse, misuse, neglect or act of God. Damage caused by modifications to the product by anyone other than an authorized TSI technician will void this warranty. This warranty does not apply to fabrics or products not installed by authorized TSI technicians.

Planning Information

Theatre Solutions offers a variety of services designed to help in the planning and successful completion of any project requiring the use of loose seating. All TSI preliminary services are free to architects and potential customers.

Further assistance is offered at those times when the architect has a need for custom components or a totally new product concept. The TSI team of experienced product designers welcomes the opportunity to assist designers in developing solutions to the most unique project requirements.

Program/Schematic Design Based on the estimated project requirements, we will assist architects in the development of a preliminary budget covering the loose seating. This will ensure the establishment of a project budget that includes adequate funding for the product that meets the architect's requirements.

Design Development During this critical phase of the project, special product requirements and possible solutions will be offered. TSI will develop preliminary loose seating specifications, which will be submitted to the architect for review and possible modifications. By solving design and specifications problems in greater detail during this phase of the work, the architect is able to simplify project documentation and avoid potentially costly oversights.

Custom Designs TSI's staff includes experienced product designers who are capable of creating custom products and components which may be required to address unique project specifications. Additionally, TSI enjoys greater flexibility in production as a result of our diverse manufacturing and supply infrastructure.

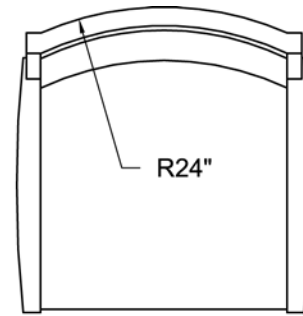
Construction Documents As the architectural working drawings are finalized, TSI will update and produce drawings to reflect all changes implemented since the preliminary documentation. TSI will also finalize the seating specifications in any format required by the architect to insure consistency with the rest of the contract documents. This will allow the architect to include the specifications and drawings in the construction documents without further work.

Project Management Every project awarded to TSI, regardless of size, will be assigned to a dedicated project manager who ensures that every detail of the contract receives full attention. The shop drawing submission will be completed in accordance to the project requirements and will take into consideration every detail unique to the project. Once the shop drawing submittal is approved, TSI will schedule the production of the order in coordination with the project schedule.

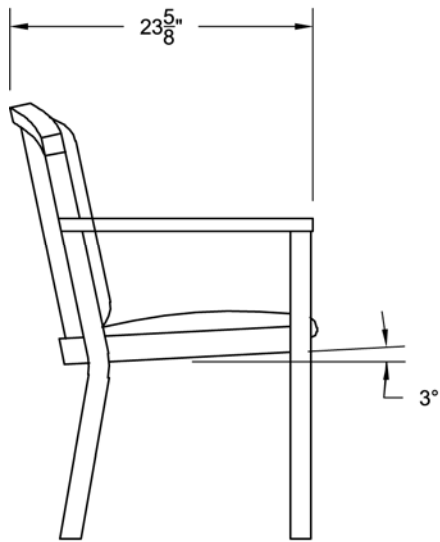
Every portion of this work will be accomplished under the direct supervision of one or more of the TSI principals who, along with the project manager, will always be available to clarify any questions or discuss any aspect of the project with the project leaders.

The TSI design staff is anxious to work with you on your next theater chair project.

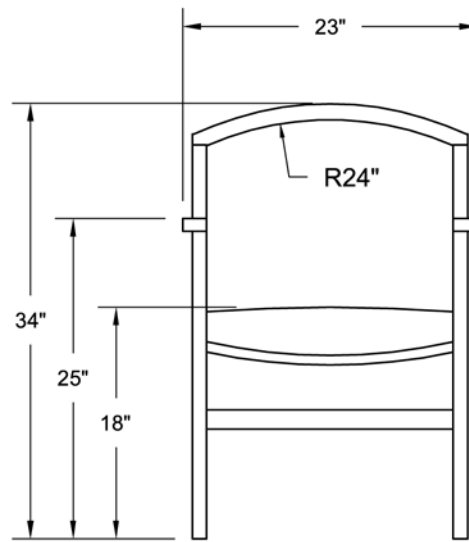
Figure 1 - Tier Front, Side, and Plan Views



TOP VIEW



SIDE VIEW



FRONT VIEW

Tier Specifications – Loose Seating

PART 1 – GENERAL

1.1 RELATED DOCUMENTS

- A. Drawings and general provisions of the contract, including General and Supplementary Conditions, apply to this section.

1.2 SUMMARY

- A. This section includes the following:
 - 1. Freestanding chairs with hardwood frame and upholstered seat and back cushions.

1.3 SUBMITTALS

- A. Product data for each type of product specified.
- B. Samples for initial selection purposes in the form of manufacturer's color charts or samples of materials showing the full range of standard colors, finishes, and patterns.
 - 1. Fabric
 - 2. Wood finishes.
- C. Statement signed by the seating manufacturer confirming that the products submitted comply with the specified requirements.

1.4 QUALITY ASSURANCE

- A. Provide installer's qualifications confirming the installer is qualified to install the manufacturer's chairs.
- B. Provide seating that complies with California Technical Bulletin 117.
- C. Obtain each type of seating, including accessories and mounting components, from a single manufacturer.

1.5 PROJECT CONDITIONS

- A. Environmental Conditions: Do not install seating until space is enclosed and weatherproof, wet work in space is complete and dry, installation of finishes including painting is complete, and ceilings are complete. Do not install seating until ambient temperature and humidity conditions are continuously maintained at final occupancy values.

1.6 DELIVERY, STORAGE, AND HANDLING

- A. Deliver seating in manufacturer's unopened cartons clearly labeled with manufacturer's name and contents.
- B. Handle seating in manner to prevent damage.

1.7 EXTRA MATERIALS

- A. Furnish from the same production run as the materials installed. Package materials with protective covering and identify with labels describing contents.

Tier Specifications – Loose Seating

PART 2 – PRODUCTS

2.1 SEATING

- A. Provide from Theatre Solutions, Inc., 121 Park Avenue, Quakertown, PA 18951, the **Tier** model as follows:
 - 1. Basic freestanding chair.
 - 2. Upholstered seat and back cushions.
 - 3. Hardwood frame with arms.
- B. Model noted is based on the Theatre Solutions, Inc. Tier model with the intent of establishing the high level of quality required for the project. Other brands submitted for approval will be given consideration provided that a full seating mock-up, along with a complete list of specification discrepancies between the proposed substitution and the product specified is received at least 10 working days prior to the bid date.
 - 1. By offering a quote for this project, the bidder assumes full responsibility for complying with the specifications for this project and shall be totally responsible for any expenses incurred if the product quoted does not comply with the specifications.
- C. Failure to comply with the warranty described in Part 4 of these specifications will be cause for disqualification.

2.2 MATERIALS

- A. Padding material shall be high resiliency polyurethane foam, which conforms to the standards of the California Bureau of Home Furnishings 117-75. The back shall be 3/4" thick. The seat shall be 1-1/2" thick.
- B. Seating fabric shall be _____ with the color to be selected from the standard choice of colors. All upholstery shall be first quality without creases, stretch lines, or wrinkles.
- C. The frame shall be solid wood. All wood shall be stained in any of the manufacturer's standard finishes.

2.3 FABRICATION, GENERAL

- A. General: Fabricate the loose seating in contoured form for maximum comfort using materials which are carefully selected to be free from defects, objectionable projections, or irregularities. Smooth round corner and edges to present the least possible snagging and pinching hazards.
- B. Construction
 - 1. All frame joints are mortise and tenon construction, assembled with glue, and clamped for a minimum of 4 hours.
 - 2. The front legs are 1-1/16" x 1-5/8" and are joined to the seat rails with a mortise and tenon joint.
 - 3. The rear legs are 1-1/16" x 1-5/8" and are joined to the seat rails with a mortise and tenon joint.
 - 4. The side seat rails are 7/8" x 2-1/4". The front seat rail is 7/8" x 2-1/2" and shall be profiled to include a 46" radius along the bottom edge. The rear seat rail is 1-1/2" x 2-1/4" and is shaped to conform to a 24" back radius. All seat rails are machined to receive blocking for support of the webbed seat panel.
 - 5. Arms are 1-1/8" x 1-7/8" and are shaped to notch around the rear frame legs. The arms shall include a 3" R.O.C. shaped top surface and shall be attached to the front and rear legs with a mortise and tenon joint.
 - 6. The back top rail is 1-1/16" x 1-7/16" and is shaped in a compound curve and joined to the rear legs with a mortise and tenon joint.
 - 7. Corner blocks are grooved to fit into the grooves in the side rails and are counter-bored to allow for the attachment of the seat panel to the frame.
 - 8. The upholstered seat is 3/4" MDF and is machined to match the shape of the chair frame. The seat panel is double webbed with 2" pre-stressed webbing. The seat padding is 1-1/2" thick fire retardant polyurethane foam.
 - 9. The upholstered back consists of two pieces of 3/8" thick 7 ply electronically glued hardwood plywood. The inside back padding is 3/4" thick fire retardant polyurethane foam. The outside back padding is 1/4" thick fire retardant polyurethane foam. The outside back panel is attached to the frame with four 16 gauge steel angles. The inside back panel is attached to the outer back panel with two bayonet hanging brackets.

- C. Assembly: The chair frame is assembled with aliphatic resin glue and clamped to allow total curing of the joints. All excess glue residue is to be removed prior to hardening. Corner blocks are to be glued in place during assembly to insure a square and plumb assembly.
- D. Finishing: All surfaces are to be sanded with a series of sandpaper starting at 120 grit and finishing with a white wood sanding at 220 grit. All sharp edges shall be smoothed, all machining and tool marks are to be removed, and the affected areas blended into the surrounding areas. All surfaces are to be stained and sealed. Prior to the final topcoat, a light sanding with 320 grit sandpaper to remove foreign particles from the sealer coat is to be performed. A final topcoat of catalyzed lacquer is to be applied to all exposed surfaces.

Tier Specifications – Loose Seating

PART 3 – WARRANTY

- 3.1 The loose seating manufacturer must provide a one-year warranty to the original purchaser of the seating as follows:
- A. The seating manufacturer shall warrant its products against failures and manufacturing defects for one year. This warranty applies to the original purchaser and is non-transferable. The seating manufacturer will provide parts and labor to replace defective parts for one year after the date of shipment.
 - B. This warranty shall not cover damage from abuse, misuse, neglect or act of God. Damage caused by modifications to the product by anyone other than an authorized seating manufacturer technician will void this warranty. This warranty does not apply to fabrics.

PART 4 – EXECUTION

4.1 EXAMINATION

- A. Examine site conditions, with installer present, for compliance with requirements for construction tolerances.
- B. Do not proceed until unsatisfactory conditions have been corrected.

4.2 GENERAL

- A. Comply with seating manufacturer's printed installation instructions applicable to products.
- B. Locate seating in locations indicated on approved shop drawings.

4.3 ADJUSTING

- A. Touch-up minor abrasions and imperfections in painted finishes with coating that matches factory-applied finish.
- B. Replace any upholstery that has been damaged during installation.

END OF SPECIFICATION

Maintenance Instructions

The Tier chairs are designed and built for years of reliable service. The durability and beauty of the chair will however, be greatly enhanced with proper care and inspection, as described below. Each project will be provided with an Operations and Maintenance (O&M) Manual which will describe in detail the maintenance measures to be taken by onsite personnel. For more information on the care of the veneer and fabric components of your product, please refer to the Finishes section of the Theatre Solutions binder.

Preventative Maintenance

Inspection and Cleaning

In the first year after the original installation, it is recommended that the chairs be inspected regularly to insure that all joints are tight and have maintained structural integrity. After the first year, this inspection interval can become longer, but should never exceed 6 months.

Periodic Readjustment

There should not be any routine need for readjustment.

Corrective Maintenance

The Tier chair has been designed and tested to achieve optimum performance and durability. In general, onsite maintenance personnel can provide the appropriate service to correct problems if they have the necessary spare parts and installation instructions.

Troubleshooting

In the event that a problem with the performance or finish of the chair occurs, it is often possible for immediate on-site remedies. TSI recommends that any loose component should be inspected for any visible evidence of breakage. If evidence is found, the part should be immediately replaced.

Obtaining Replacement Parts

A complete list of spare parts provided with the original installation is included in the O&M Manual. If any additional parts are required, simply contact Theatre Solutions and refer to the appropriate part number or the description listed in a drawing depicting the component.

Service Calls

For service work which cannot be executed by building user, contact Theatre Solutions and we will assist in arranging for a visit by qualified technicians.

Shipping Back to Theatre Solutions

Prior to returning any component part(s) to Theatre Solutions, please contact us by phone or fax for instructions on packaging and shipment method.